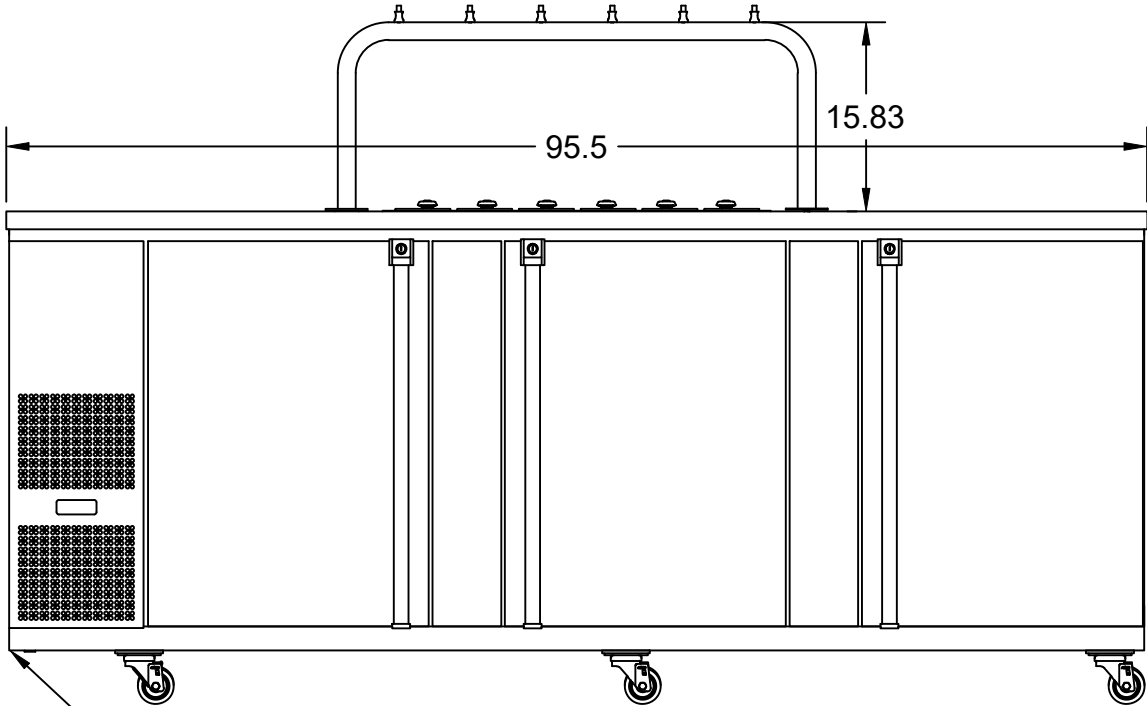
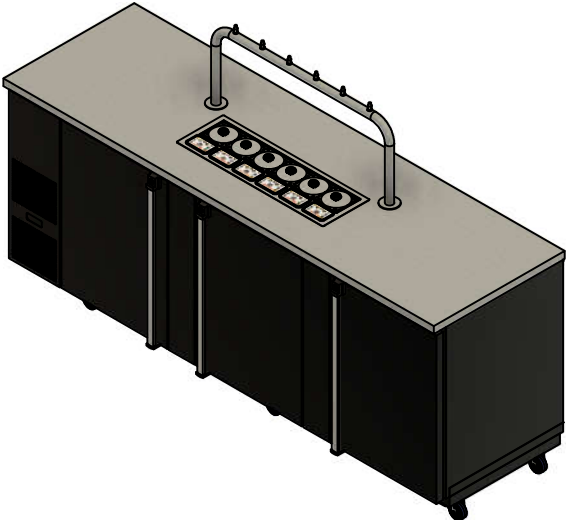


# 5 Keg Spec Sheet

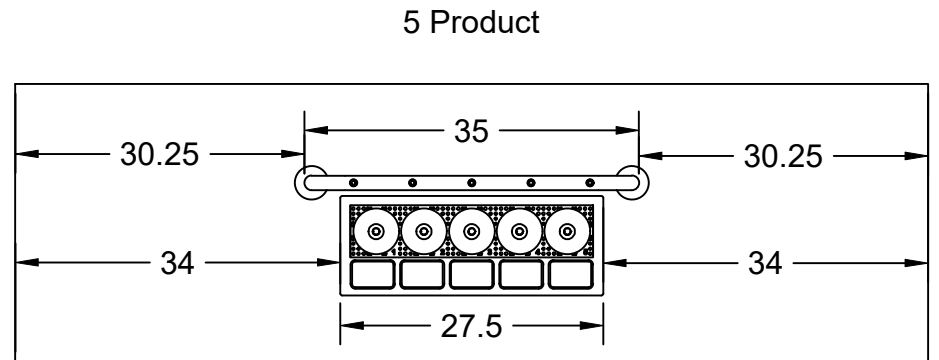
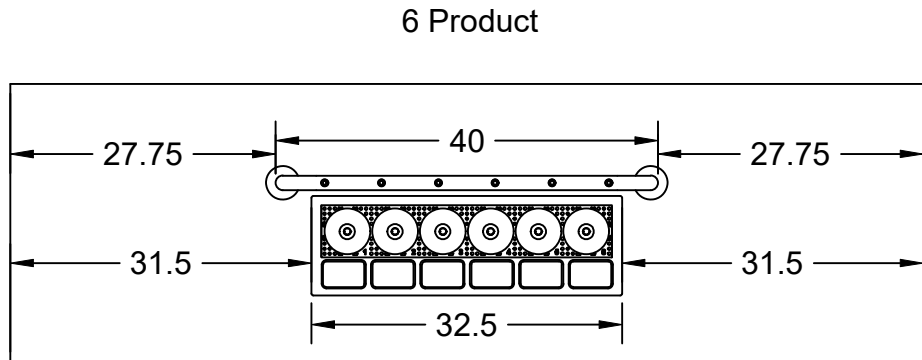
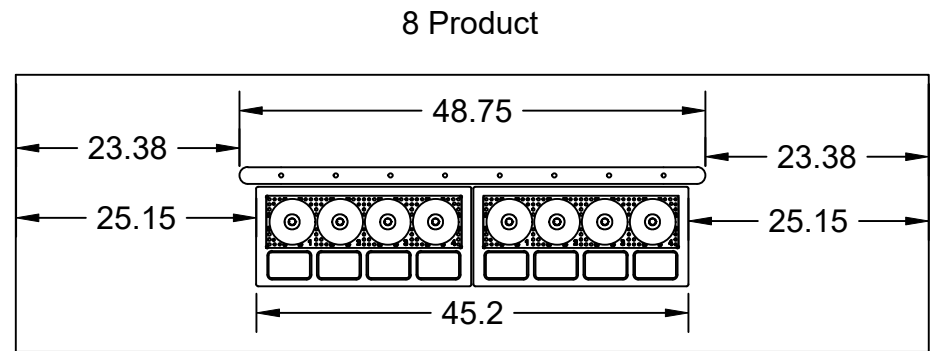
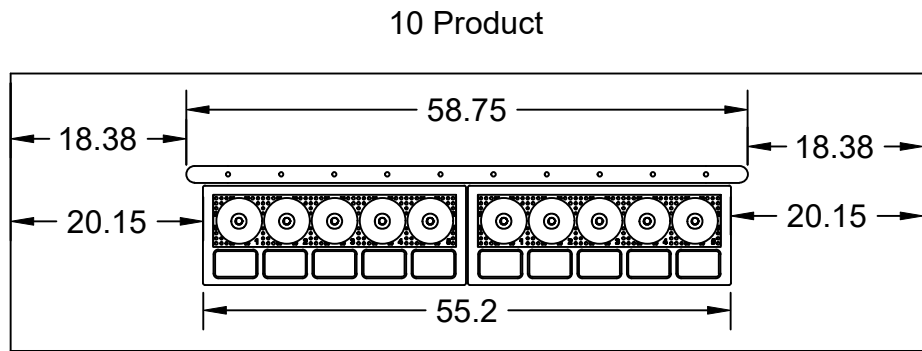
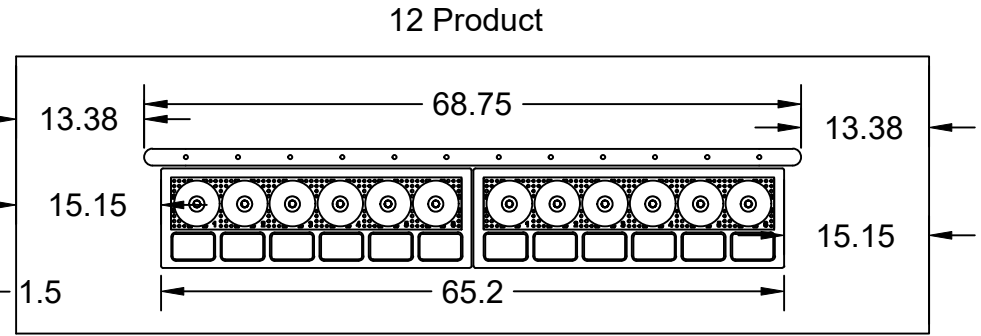
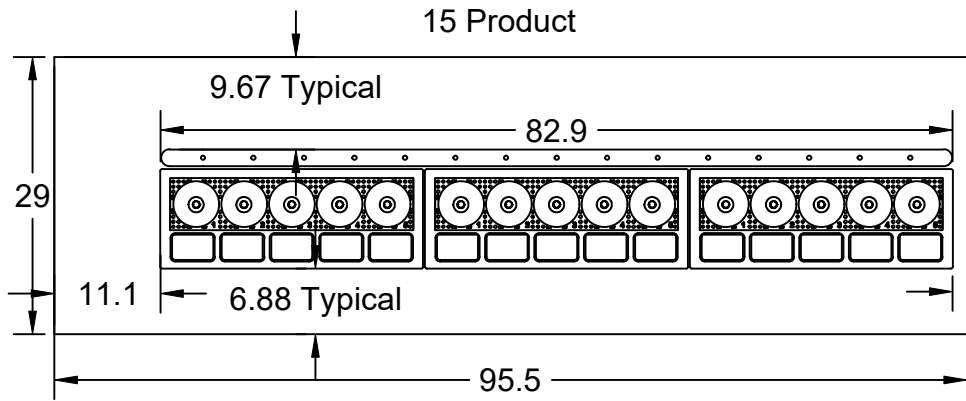


2 - 120V Cords will extend out the back of the compressor cabinet a length of 6 feet.



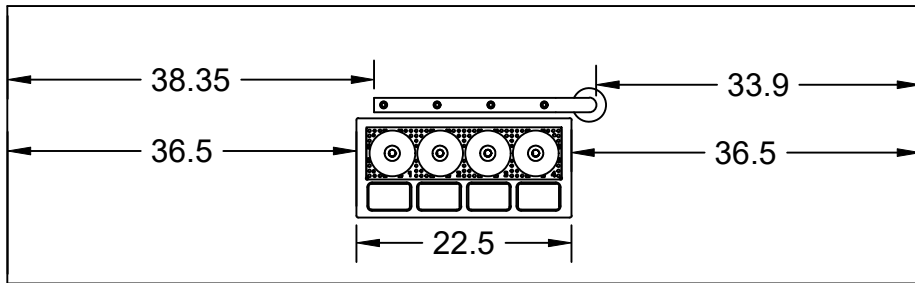
Cooler/ Dispenser Specifications	
Keg Capacity	5 - $\frac{1}{2}$ Barrel Kegs or 11 - $\frac{1}{4}$ Barrel Kegs or 16 - $\frac{1}{6}$ Barrel Kegs
Certifications	NSF # C0217099 ETL Listed, Energy Star
Power Requirements	Requires 1 standard 120V duplex outlet. Max running current 8.5 amps.
Power Supply Approvals	UL / CUL / PSE / TUV / BSMI / CCC / CB / FCC / CE

# Cooler Variations

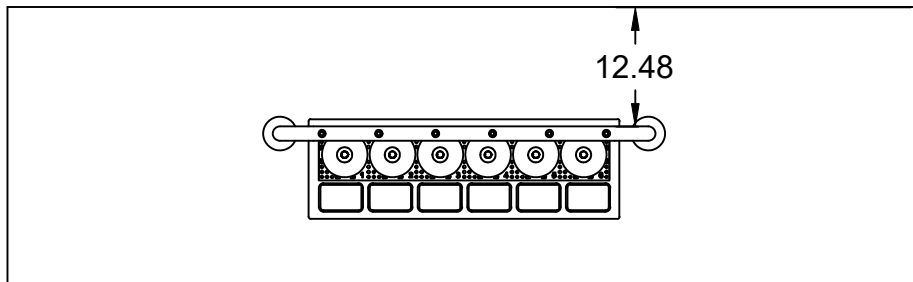


# Cooler Variations

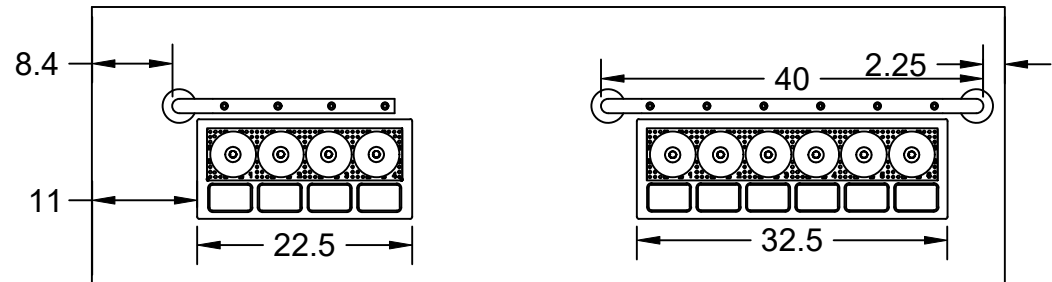
4 Product



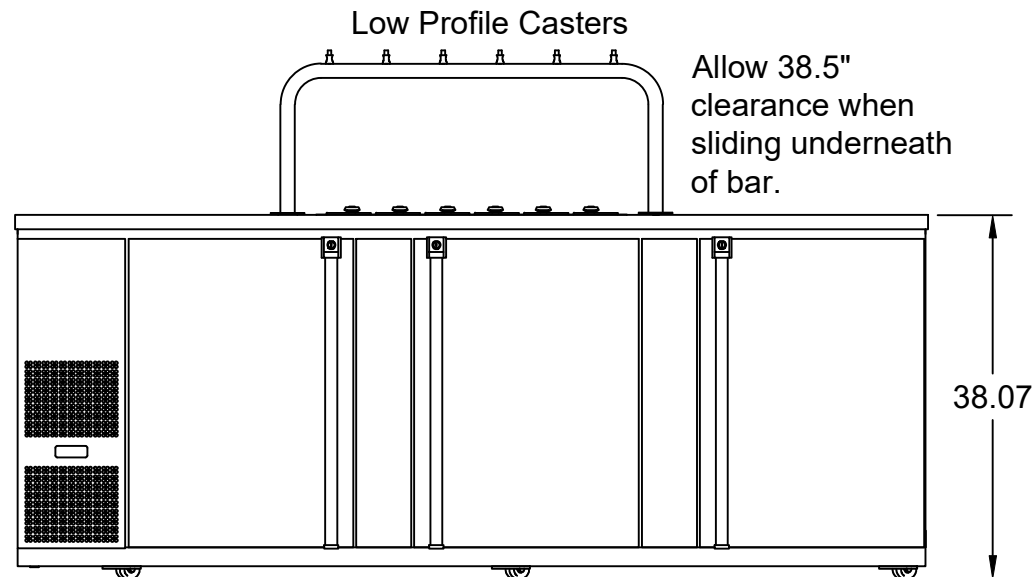
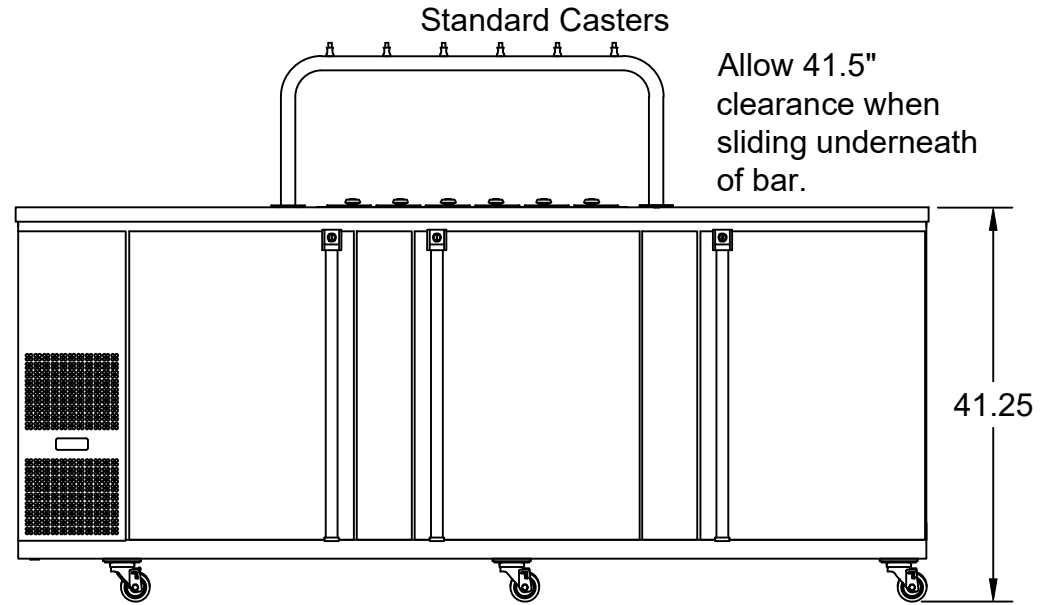
This is an example of a Dispenser and Tap Display justified as close to the server side as possible. Tap Display will be positioned over the top of the Dispenser. 12.25" clearance is needed for bar overhang.



Example Far Left or Far Right Dispenser



# Caster Options



# CO2 Options

Tank Mount Regulator Installed. Specify whether tank mount regulator should be placed inside of cooler or routed outside of cooler.



Bulk Tank Regulator Installed. Regulator will be mounted to wall inside of cooler. High pressure line will extend outside of the cooler 6 feet and must be connected to a bulk CO2 tank.



# Drainage

Drain line will be routed to the back right corner and be inserted into a 2.5 gallon container. Drain line can be routed outside of the cooler upon request. It can only exit through the right side wall of the cooler.

